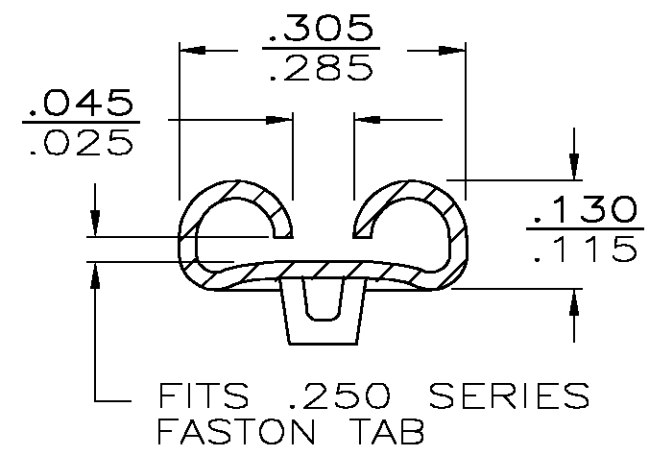
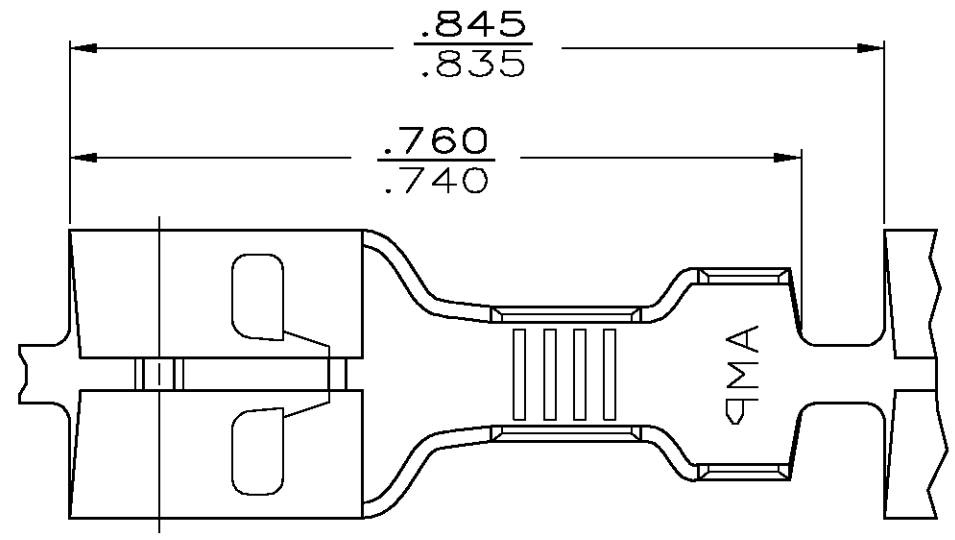


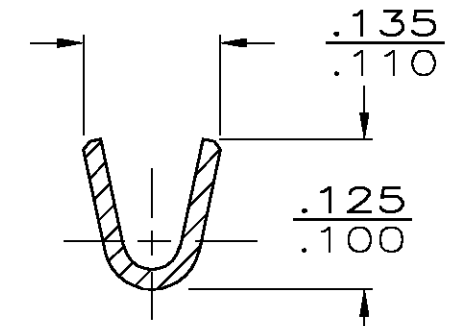
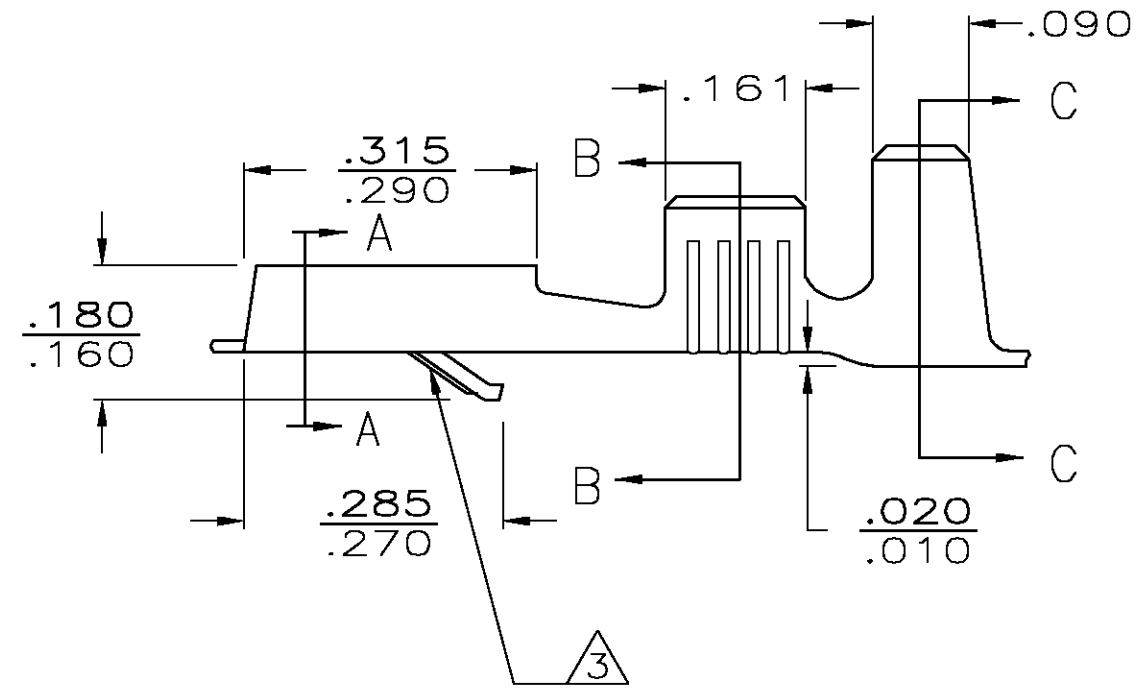
THIS DRAWING IS UNPUBLISHED. RELEASED FOR PUBLICATION
 © COPYRIGHT BY TYCO ELECTRONICS CORPORATION. ALL RIGHTS RESERVED.

LOC	DIST	REVISIONS				
P	LTR	DESCRIPTION	DATE	DWN	APVD	
AF	50	AH	REV PER 0G3A-0200-05	22MAR05	JR KR	

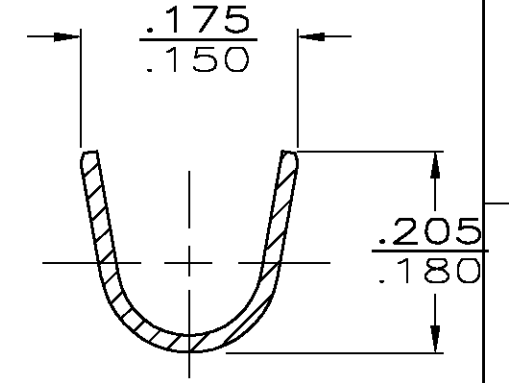
- 1 - CONTINUOUS STRIP ON REELS.
- △2 - FOREIGN PRODUCTION ONLY
- △3 - LANCE IN 1-60295-2 ONLY.
- △4 - INTERLEAVING PAPER
- △5 - PRELIMINARY - NOT FOR PRODUCTION



SECTION A-A



SECTION B-B



SECTION C-C

FINISH	INSULATION RANGE	WIRE SIZE	TAB THK	PART NO
△4 TIN	.085-.125	22-18	.032 ±.001	△5 60295-4
OBSOLETE △3 TIN	.085-.125	22-18	.032 ±.001	△2 1 60295-2
OBSOLETE NICKEL	.085-.125	22-18	.032 ±.001	60295-3
TIN	.085-.125	22-18	.032 ±.001	60295-2
-	.085-.125	22-18	.032 ±.001	60295-1

THIS DRAWING IS A CONTROLLED DOCUMENT.		DWN JR RUTH 4/28/86	Tyco Electronics Corporation Harrisburg, Pa 17105-3608	
DIMENSIONS: INCHES		CHK G YETTER 4/28/86		
TOLERANCES UNLESS OTHERWISE SPECIFIED:		APVD R KUZO 4/28/86	NAME .250 SERIES FASTIN - FASTON RECEPTACLE	
0 PLC ± - 1 PLC ± - 2 PLC ± - 3 PLC ± .015 4 PLC ± - ANGLES ± -		PRODUCT SPEC -	SIZE CAGE CODE DRAWING NO RESTRICTED TO	
MATERIAL .012 BRASS		FINISH SEE ABOVE	A3 00779 C-60295	
		WEIGHT -	CUSTOMER DRAWING SCALE 1:1 SHEET 1 OF 1 REV AH	